

BRUCIATORE
PILOTA

PILOT BURNER

BRÛLEUR PILOT

PILOTBRENNER

Tec 6G
Tec 10G/10GMD
Tec 6GMX/6GMD
Tec 10GMD
Tec 5GP/5GPmec
Tec 7G
Tec 10GP/10GPmec
Tec 15 G
Tec 15GMD
Tec 20G/20GMD



CANDELETTA

SPARKING PLUG

BOUGIE

KERZE

Tec 6G
Tec 10G/10GMD
Tec 6GMX/6GMD
Tec 10GMD
Tec 5GP/5GPmec
Tec 7G
Tec 10GP/10GPmec
Tec 15 G
Tec 15GMD
Tec 20G/20GMD



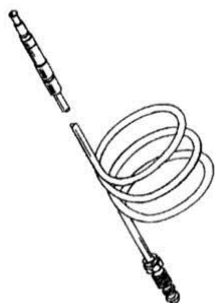
TERMOCOPPIA
1000mm.

THERMO-COUPLE
1000mm.

THERMOCOUPLE
1000MM.

THERMOELEMENT
1000MM.

Tec 5GP
Tec 6G/6GMX/6GMD
Tec 7G
Tec 10G
Tec 10GP/10GPmec
Tec 15G



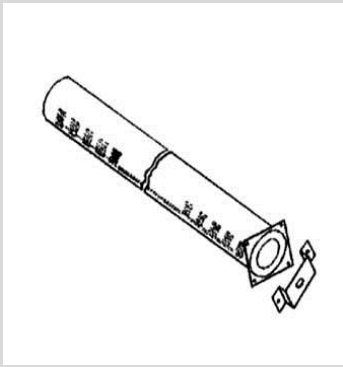
TERMOCOPPIA
1500mm.

THERMO-COUPLE
1500mm.

THERMOCOUPLE
1500MM.

THERMOELEMENT
1500MM.

Tec 10GMD
Tec 15GMD
Tec 20G/20GMD



BRUCIATORE A 1
RAMPA

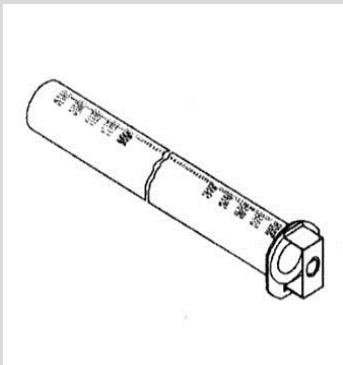
ONE-FLIGHT BURNER

BRÛLEUR À 1 RAMPE

EINFACHBREN-
NER

C6G
Tec 6G
Tec 10G

6GMD / 6GMX
Tec 6GMX / 6GMD
10GMD
Tec 10GMD



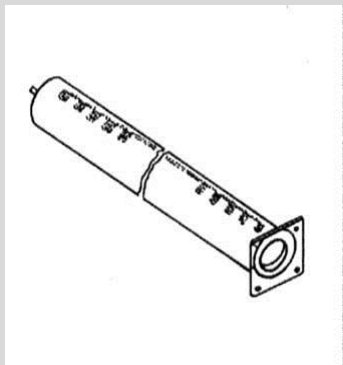
BRUCIATORE A 1
RAMPA

ONE-FLIGHT BURNER

BRÛLEUR À 1 RAMPE

EINFACHBREN-
NER

Tec 5GP/5GPmec
Tec 7G



BRUCIATORE A 2
RAMPE

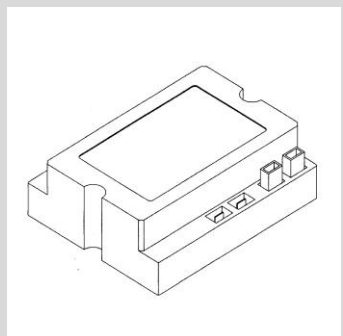
TWO-FLIGHT
BURNER

BRÛLEUR À 2
RAMPES

ZWEIFACHBREN-
NER

Tec 10GP/10GPmec
Tec 15 G

Tec 15GMD
Tec 20G Tec 20GMD
20GMD



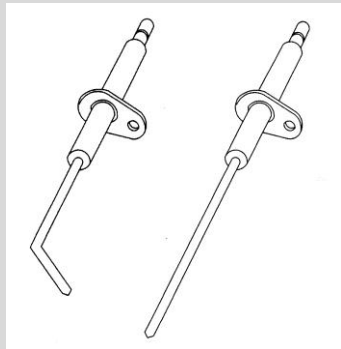
CENTRALINA
CONTROLLO FIAMMA

ELECTRONIC
IGNITER

ALLUMEUR
ELECTRONIQUE

ELEKTRONISCHE-
ANZUNDER

C6G 6GMD 6GMX
N6GMD N6GMX
Tec 6G
Tec 10G 10GMD
6GMX/6GMD
Tec 5GP/5GPmec
Tec 7G
Tec 10GP/10GPmec
Tec 15 G
Tec 15GMD
Tec 20G/20GMD



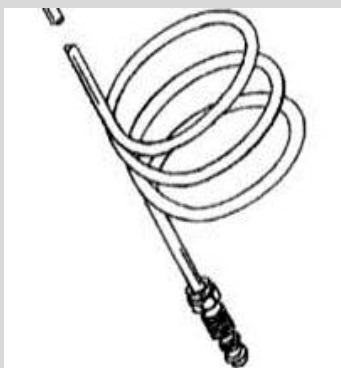
ELETTRODI DI
ACCENSIONE E
CONTROLLO FIAMMA

IGNITING AND
SECURITY
ELECTRODE

ÉLECTRODE DE
ALLUMAGE ET
SECURITÉ

ELEKTRODE

C6G 6GMD 6GMX
N6GMD N6GMX
Tec 6G
Tec 10G 10GMD
6GMX/6GMD
Tec 5GP/5GPmec
Tec 7G
Tec 10GP/10GPmec
Tec 15 G
Tec 15GMD
Tec 20G/20GMD



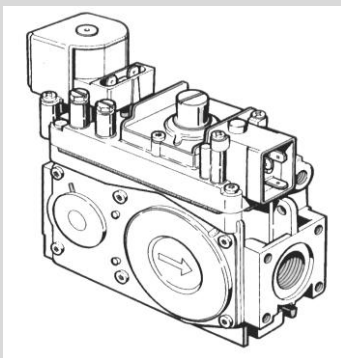
CAVO ACCENSIONE
CAVO RILEVAZIONE

IGNITION/BUY-OUT
CABLE

CABLE D'ALLUMAGE/
RELÈVEMENT

ZÜNDUNG/
ERHEBUNG

C6G 6GMD 6GMX
N6GMD N6GMX
Tec 6G
Tec 10G 10GMD
6GMX/6GMD
Tec 5GP/5GPmec
Tec 7G
Tec 10GP/10GPmec
Tec 15 G
Tec 15GMD
Tec 20G/20GMD



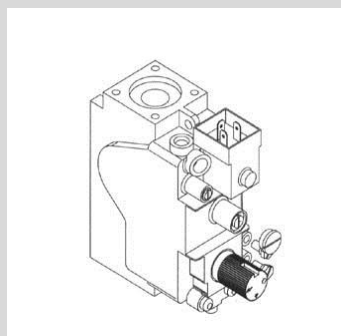
VALVOLA SICUREZZA
GAS REMOTA

GAS VALVE

VALVE GAZ

GASVENTIL

C6G 6GMD 6GMX
N6GMD N6GMX
Tec 6G
Tec 10G 10GMD
6GMX/6GMD
Tec 5GP/5GPmec
Tec 7G
Tec 10GP/10GPmec
Tec 15 G
Tec 15GMD
Tec 20G/20GMD



VALVOLA SICUREZZA
GAS

GAS SAFETY VALVE

VALVE SECURITÉ
GAZ

GASSICHERHEITS
VENTIL

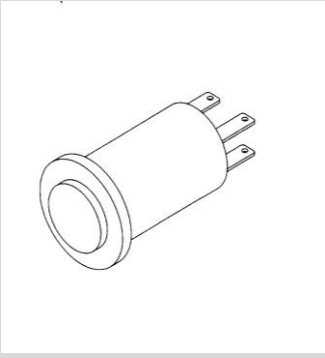
Tutti i modelli prima del
2006

All models before 2006

Tous les models avant
2006

Alle modellen vor 2006

OBSOLETE.



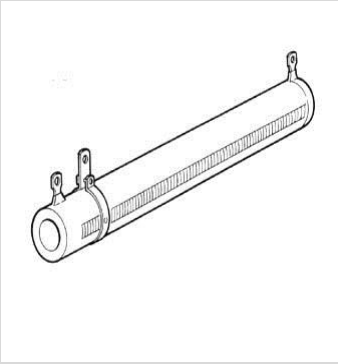
PULSANTE DI
SBLOCCO

RELEASING KNOB

BOUTON DE
DÉBLOCAGE

AUFHEBUNGSKNOPF

C6G 6GMD 6GMX
N6GMD N6GMX
T10G 10GMD
T15G T15GMD
20G 20GMD



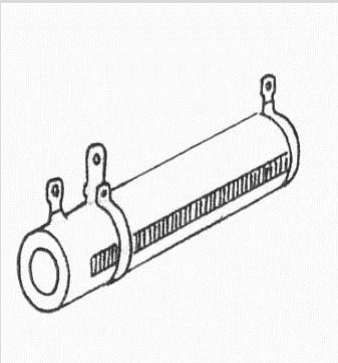
REOSTATO

RHEOSTAT

RHÉOSTAT

REGELWIEDER-
STAND

Tec 5P/5Pmec
Tec 5GP/5Gpmec
N5P



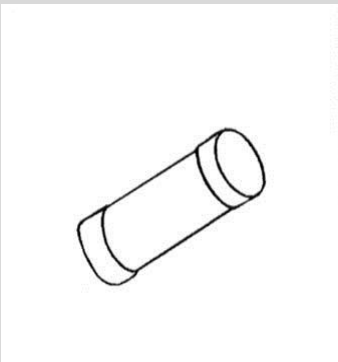
REOSTATO
Completo di viti e barra

RHEOSTAT
Complete with screws
and rods

RHÉOSTAT
Compléter avec des vis
et des tiges

REGELWIEDER-
STAND

Tec 10P/10Pmec
Tec 10GP/10GPmec



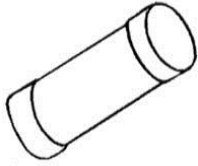
FUSIBILE 5X20 1,5A

FUSE 5X20 1,5A

FUSIBLE 5X20 1,5A

SICHERUNG 5X20
1,5A

Tec 4P
Tec 4MX
Tec 6/6H
Tec 6MX/6MD
Tec 10/10MX/10MD



FUSIBILE 5X20 3,15A

FUZE 5X20 3,15A

FUSIBLE 5X20 3,15A

SICHERUNG 5X20
3,15A

Tec 3MX/MD
Tec 5P/5Pmec
Tec 5GP/5GPmec/7/7G
Tec 6G/6GMX/6GMD
N5P N5Pmec
Lievitatore
Tec 10G/GMD
Tec 10P/10Pmec
Tec 10GP/10GPmec
Tec 15/15MX
Tec 15G
Tec 20/20MD
Tec 20G/20GMD
N6GMD/GMX/MD/MX



DEVIATORE
BIPOLARE

SWITCH FOR FAN
SPEED

INTERRUPTEUR
VELOCITÉ HÉLICE

SCHALTER FÜR
ZWEIGANGE LUFTER

Tec 4P
Tec 5P/5GP
6GMDusl 6GMXusl
6EMDusl 6EMXusl
10GMDusl 10EMDusl
20GMDusl 20EMDusl
Tec 10P/10Pmec
Tec 10GP/10Gpmec
N5P



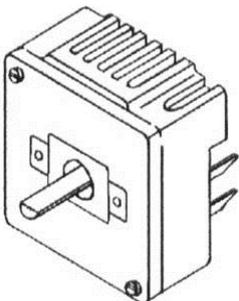
PULSANTE
UMIDIFICATORE

BUTTON HUMIDIFIER

HUMIDIFICATEUR
BOUTON

BUTTON
LUFTBEFEUCHTER

Tec 4P



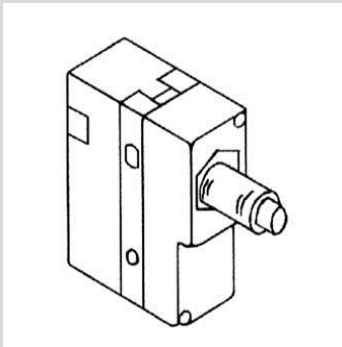
PROGRAMMATORE
UMIDIFICATORE

WATER SPRAYER
PROGRAMMER

PROGRAMMATEUR
HUMIDIFICATEUR

FLEUCHTIGKEITSRE-
GLER

Tec 3H
Tec 5Pmec/5GPmec
N5Pmec
C6G C6E
Tec 6H/6G • Tec 7/7G
Lievitatore
Tec 10 • Tec 10G
Tec 10Pmec/10GPmec
Tec 15/15G
Tec 20/20G



MICROINTERRUTTORE PORTA

DOOR MICROSWITCH

MICROINTERRUPTEUR

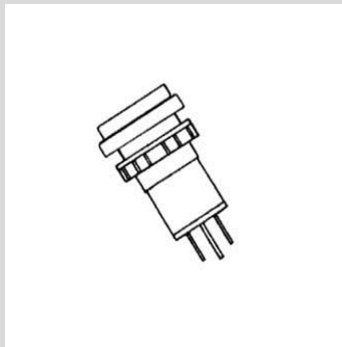
MICROSCHALTER FÜR TÜROFFNUNG

Tutti i modelli

All models

Tous les models

Alle modellen



LAMPADA SPIA

WARNING LIGHT

VOYANT

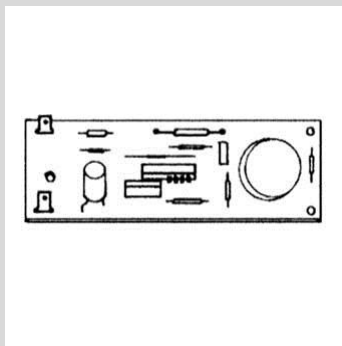
LINSE

Tutti i modelli

All models

Tous les models

Alle modellen



SUONERIA ELETTRONICA

ELECTRONIC BELL

SONNERIE ELECTRONIQUE

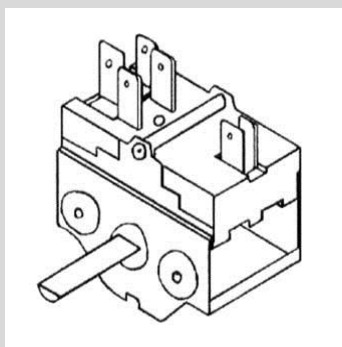
ELEKTRONISCHERE KLINGEL STUCK

Tutti i modelli

All models

Tous les models

Alle modellen



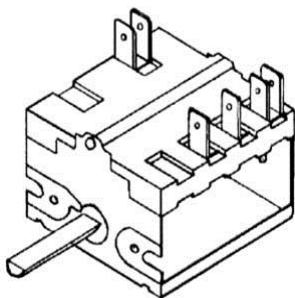
SELETTORE TIPO COTTURA

MODE SELECTOR

SELECTEUR DE CUISSON

FUNKTIONSSCHALTER

Tec 4MX
Tec 6MX
6GMD
Tec 10MX
10GMD
Tec 15MX
Tec 15GMD
N6GMD



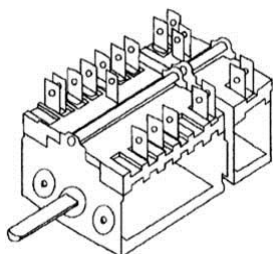
SELETTORE QUANT.
VAPORE

STEAM SELECTOR

SELECTEUR VAPEUR

DAMPFSCHALTER

Tec 4MX
Tec 6MX/6GMX
Tec 10MX
10EMX
Tec 15MX



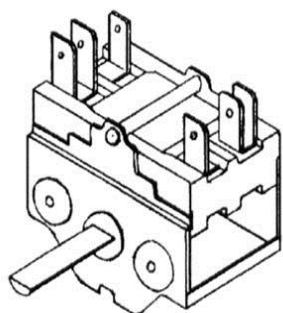
SELETTORE
FUNZIONALE

STEAM SELECTOR

SELECTEUR VAPEUR

DAMPFSCHALTER

Tec 3MX
Tec 6MD/6GMD
6EMD
Tec 10MD
10EMD
Tec 20MD
N6MD



INTERRUPTORE
GENERALE

MAIN SWITCH

INTERRUPTEUR
GENERAL

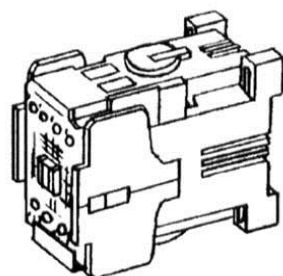
HAUPTSCHALTER

Tutti i modelli

All models

Tous les models

Alle modellen

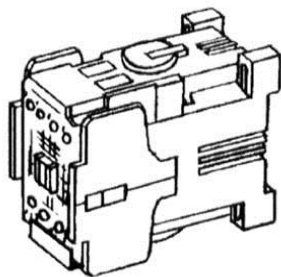


CONTATTORE
CONTACTOR
CONTACTEUR
KINTAKGEBER

CONTATTORE
AUSILIARIO ---
AUXILIARY
CONTACTOR ---
CONTACTEUR
AUXILIAIRE ---
HILFSKINTAKT-
GEBER

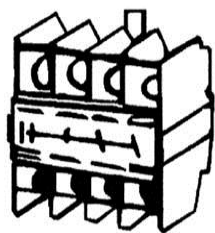
Tutti i modelli
All models
Tous les models
Alle modellen

Tec 3MX
Tec 4MX • Tec 6MX
Tec 10MX • Tec 15MX
N5Pmec



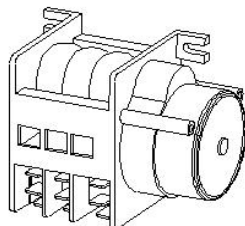
CONTATTORE 25A
CONTACTOR 25A
CONTACTEUR 25A
KINTAKGEBER 25A

TEC 10NMD •
TEC10NMX
10EMD • 1EMX



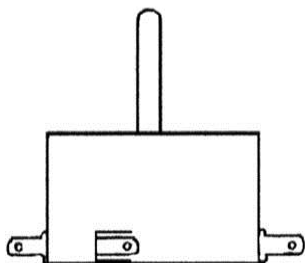
BLOCCHETTO
CONTATTI AUSILIARI
TERMINAL BOX
BARRETTE DE
CONNECTION
KLEMMLEISTE

Tec 6GMD
Tec 10MX
Tec 15MX



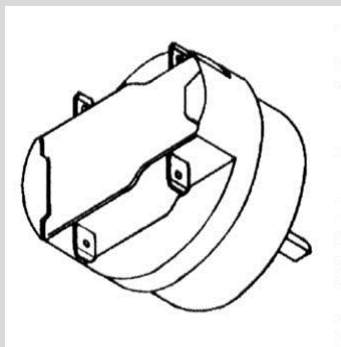
PROGRAMMATORE
AUTOREVERSE
AUTOREVERSE
PROGRAMMER
PROGRAMMATEUR
AUTOREVERSE
AUTOREVERSE-
PROGRAMMIERERE

Tec 5Pmec
Tec 5Gpmec
Tec 10Pmec
Tec 10Gpmec
N5Pmec
10EMD 10EMX
10EMX
20MD 20GMD



TIMER TEMPOMATIC
SENZA SUONERIA
TEMPOMATIC TIMER
WITHOUT BELL
MINUTERIE TEMPOM.
SANS SONNERIE
TEMPOMATIC ZEIT-
SCHALTER OHNE
LAUTWERK '

Tec 2 • Tec 3 • Tec 4P
Tec 5Pmec/5GPmec
Tec 6
Tec 10
Tec 10P/10Pmec
Tec 10G/10GPmec
Tec 15/15G
Tec 20/20G
N5Pmec
Lievitatore 10



TIMER 120 MINUTI

TIMER 120 MIN.

MINUTERIE 120 MIN.

ZEITSCHALTER 120'

Lievitatore 8



SONDA TERMOREGOLAT. ELETTR.

ELECTRONIC THERM. PROBE

SONDE THERMOREGUL. ELEC.

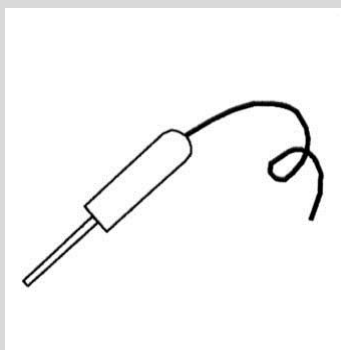
ELEKTRONISCHER THERMOSTAT-FUHLER

Tutti i modelli

All models

Tous les models

Alle modellen



SONDA AL CUORE

CORE TEM. PROBE

SONDE AU COEUR

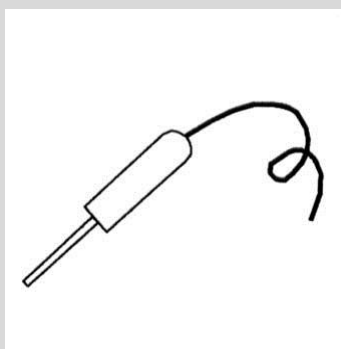
SONDE AM HERZ

Tutti i modelli prima del 11\2012

All models before 11\2012

Tous les models avant 11\2012

Alle modellen vor 11\2012



SONDA AL CUORE ESTERNA

EXTERNAL CORE TEM. PROBE

SONDE AU COEUR EXTERIEURE

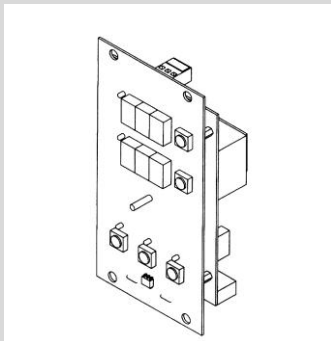
SONDE AM HERZ EXTERNAL

Tutti i modelli dal 11\2012

All models from 11\2012

Tous les models apres 11\2012

Alle modellen 11\2012



SCHEDA ELETTR.
ROTATIVA

Tutti i modelli

ROTATIVE FORM

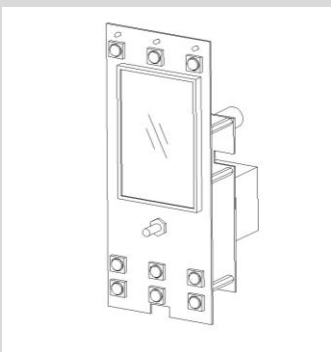
All models

CARTE
ELECTRONIQUE

Tous les models

ROTATIONSKARTE

Alle modellen



TOUCH SCREEN:

SCHEDA ELETTR.
PROGRAMMABILE

6EMD/EMX usl prog
6GMD/GMX usl prog

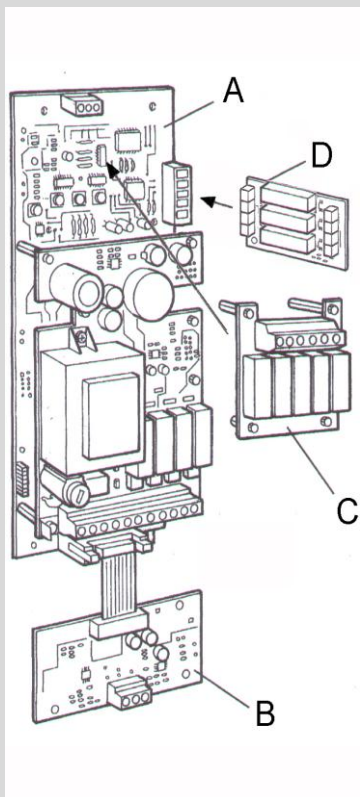
ELECTRONIC BOARD
PROGRAMM.

10EMD/EMX usl prog
10GMD/GMX usl prog

FICHE ELETTR.
PROGRAMM.

20EMD/EMX usl prog
20GMD/GMX usl prog

PROGRAMMIERER
BARE KARTE



-A-
SCHEDA ELETT. USL
USL FORM
CARTE USL
USL-KARTE

6EMD 6EMX
6GMD 6GMX

-B-
SCHEDA SONDA
BOARD FOR PROBE
CARTE POUR SONDE

N6MD N6MX
N6GMD N6GMX

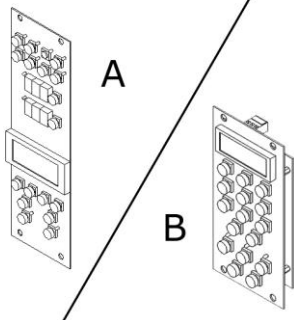
10EMD 10EMX
10GMD

-C-
SCHEDA USL-MX
USL-MX FORM
CARTE USL-MX
USL MX KARTE

Tec20MD Tec20GMD
20GMD 20EMD

-D-
SCHEDA LAVAGGIO
CLEANING SYSTEM
FORM
CARTE SYSTEME
NETTOYAGE
KARTE FÜR
REINIGUNG

"OBSOLETE"



SCHEDA ELETTR.
PROGRAMMABILE

ELECTRONIC
BOARD
WITH RECIPES

FICHE ÉLECTR.
AVEC RECETTES

PROGRAMMIERER
BARE KARTE

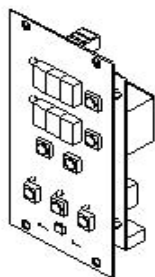
A

Tutti i modelli prima del
2006
All models before 2006
Tous les models avant
2006
Alle modellen vor 2006

B

Pastry / Pasticceria

N5P N8P Tec5GP
Tec10P Tec10GP



OBSOLETE

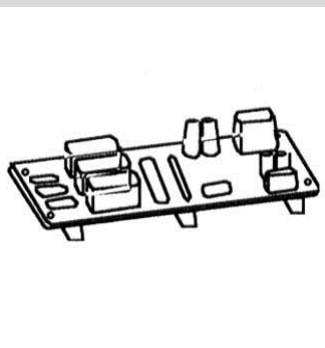
SCHEDA
ELETTRONICA

ELECTRONIC FORM

CARTE
ELECTRONIQUE

ELEKTRONISCHE
KARTE

Tec 3MX/3MD
Tec 5P/5GP
Tec 6MX/6MD
Tec 6GMX/6GMD
Tec 10MX/10MD
Tec 10GMD
Tec 10P/10GP
Tec 15MX/15MD/15GMD
Tec 20MD/20GMD



OBSOLETE

SCHEDA
AUTOREVERSE

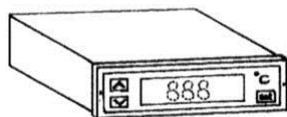
AUTOREVERSE
FORM

FICHE
AUTOREVERSE

LINKS UND
RECHTSLAUF KARTE

prima del 2008
before 2008
avant 2008
vor 2008

Tec 5P/5Pmec
Tec 5GP/5Gpmec
Tec 10P/10Pmec
Tec 10GP/10Gpmec
N5Pmec



TERMOREGOLAT.
SONDA CUORE

PROBE ELECTR.
THERMOSTAT

THERMOSTAT
ELECTR. SONDE
AU COEUR

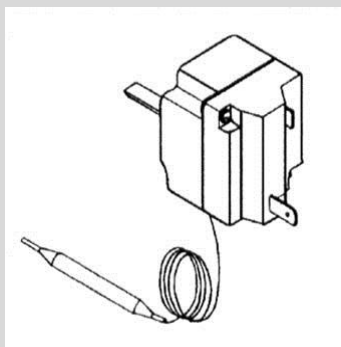
ELEKTRONISCHER
TEMPERATURRE-
GLER SONDE AM
HERZ

Tutti i modelli

All models

Tous les models

Alle modellen

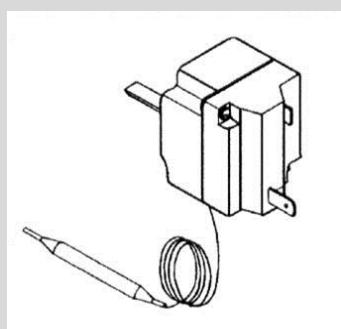


TERMOSTATO
THERMOSTAT
THERMOSTAT
THERMOSTAT

Tec 2 • Tec 3 • Tec 4P
Tec 5Pmec/5GPmec/ 6
Tec 10/10P/10Pmec
Tec 10G/10GPmec
Tec 15/15G/20/20G

-TERMOSTATO DI
SICUREZZA
-SECURITY
THERMOSTAT
-THERMOSTAT DE
SECURITÉ
-SICHERUNG
TEMPERATUREGLER

N5P Tec5GP
C6G/6GMX/6GMD
Tec 10G/10GMD
Tec 10P/10Pmec
Tec 10GP/10GPmec
Tec 15G/15GMD
Tec 20G/20GMD6GMDusl
10GMD 20GMD



TERMOSTATO
LIEVITATORE

Lievitatore 8
Lievitatore 10

PROOVER
THERMOSTAT

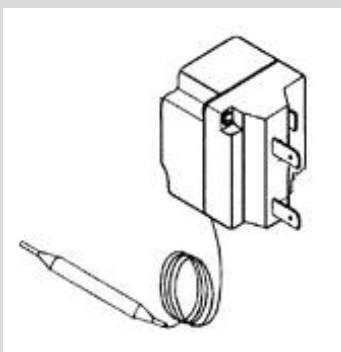
Proover 8
Proover 10

THERMOSTAT
POUR ETUVE

Etuve 8
Etuve 10

GARSCHRANKS
THERMOSTAT

Garschrank 8
Garschrank 10



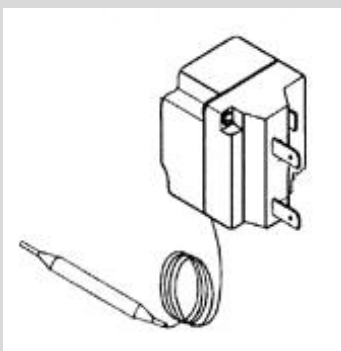
TERMOSTATO 99°

THERMOSTAT 99°

THERMOSTAT 99°

THERMOSTAT 99°

6GMDmec 6EMDmec
10GMDmec 10EMDmec



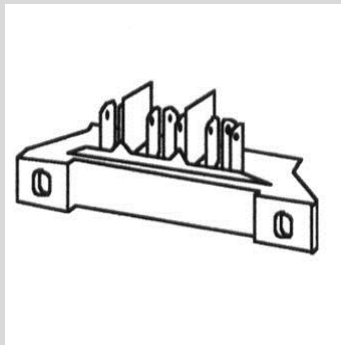
TERMOSTATO CALDAIA

THERMOSTAT BOILER

THERMOSTAT
CHAUDIÈRE

THERMOSTAT
DAMPFKESSEL

6GMX 6EMX
10EMX



MORSETTIERA 3
MONOFASE

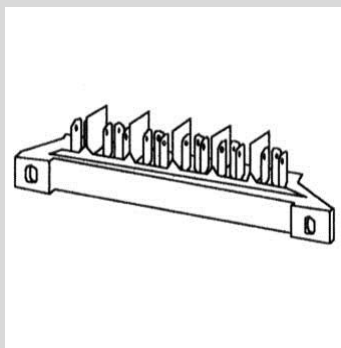
TERMINAL BOX 3

BORNIER
ALIMENTATION 3

KLAMMERVOR-
RICHTUNG 3

Tec 2 • Tec 3/3H/3MD
Tec 5GP/5GPmec
Tec 6G/6GMX/6GMD
C6G 6GMD 6GMX

Tec 7G
Armadio caldo
Lievitatore
Tec 10G/10GMD
Tec 10GP/10GPmec
Tec 15G/15GMD
Tec 20G/20GMD
20G 20GMD
N6GMD/GMX



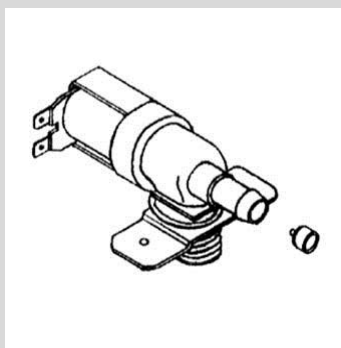
MORSETTIERA 5

TERMINAL BLOCK 5

BORNIER
ALIMENTATION 5

KLAMMERVOR-
RICHTUNG 5

Tec 3trifase/3MX
Tec 4P
Tec 5P/5Pmec
Tec 6/6H/6MX/6MD
C6E 6EMD 6EMX
Tec 7
Tec 10/10MX/10MD
10EMD 10EMX
Tec 10P/10Pmec
Tec 15/15MX/15MD
Tec 20/20MD
N6MD/MX
N5P N5Pmec



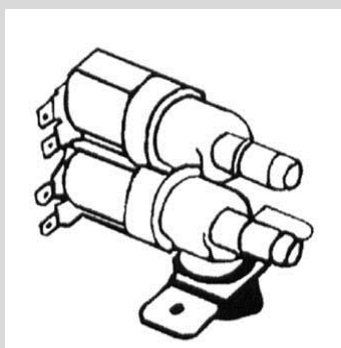
ELETTROVALVOLA
INGRESSO ACQUA

SOLENOID

ELECTROVANNE
ENTRÉE EAU

ELEKTROVENTIL FÜR
WASS EREINLASS

Tec 3H
Tec 4P/4MX
Tec 5P/5Pmec
Tec 5GP/5GPmec
Tec 6H C6E
6EMD
Tec 7/7G
Tec 10/10G
10EMD
Tec 15/15G
Tec 20/20G
N6MD/GMD
N5P N5Pmec



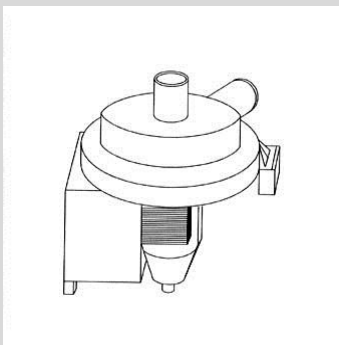
ELETTROVALVOLA
DOPPIO CORPO

SOLENOID
2 OUTLETS

ELECTROVANNE
2 VOIES

ELEKTROVENTIL
2 AUSGANG

Tec 5Pmec/5GPmec
Tec 10
10EMX
Tec 10P/10Pmec
Tec 10G/10GPmec
Tec 15/15G
Tec 20/20G



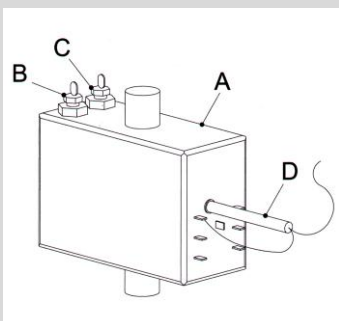
POMPA DI SCARICO

DRAIN PUMP

POMPE DÉCHARGE
EAU

PUMPE

Tec 4MX
Tec 6MX Tec 6GMX
6EMX 6GMX
Tec 10MX
10EMX

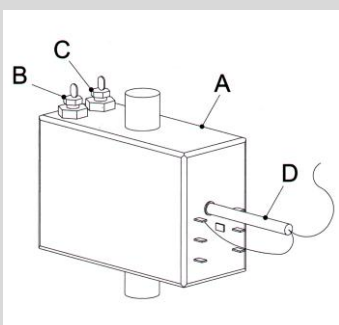


CALDAIA 3Kw
STEAM BOILER 3Kw
CHAUDIÈRE 3 Kw
DAMPFKESSEL 3Kw

SONDA
PROBE
SONDE
SONDE

TERMOFUSIBILE

Tec 6MX Tec 6GMX
Tec10 NMX
N6MX N6GMX
6EMX/GMX

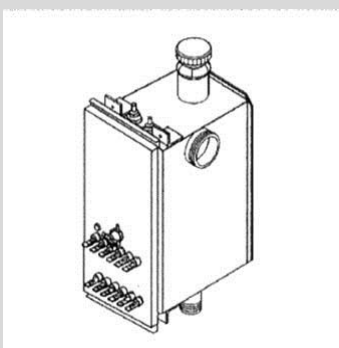


CALDAIA 6Kw
STEAM BOILER 6Kw
CHAUDIÈRE 6 Kw
DAMPFKESSEL 6Kw

SONDA
PROBE
SONDE
SONDE

THERMOST.

10EMX



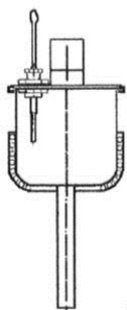
CALDAIA
TEC 15MX

STEAM BOILER
TEC 15MX

CHAUDIÈRE
TEC 15MX

DAMPFKESSEL
TEC 15MX

Tec 15MX



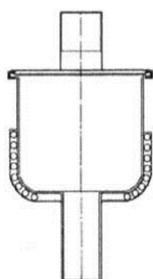
CALDAIA 2KW
CON SONDA

STEAM BOILER 2KW
WITH PROBE

CHAUDIÈRE 2KW
AVEC SONDE

DAMPFKESSEL 2KW
MIT SONDE

Tec 3MX
Tec 10MX



CALDAIA
VAPORE 2KW

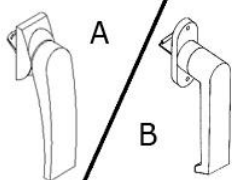
STEAM BOILER 2KW

CHAUDIÈRE 2KW

DAMPFKESSEL 2KW

Tec 4MX
Tec 6MX/6GMX
Tec 10MX

OBSOLETE



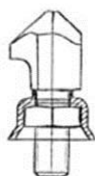
MANIGLIA

HANDLE

POIGNÉE

KLINKLE

Tec 3MX/3MD
Tec 5P/5Pmec
Tec 5GP/5GPmec
Tec 6/6MX/6MD
Tec 6G/6GMX/6GMD
C6E 6EMD 6EMX
C6G 6GMX 6GMD
Tec 7/7G
N6MD/MX/GMD/GMX
N5P N5Pmec



AGGANCIO PORTA

CATCH

CROCHET

NASE

Tec 3MX/3MD
Tec 4MX
Tec 5P/5Pmec
Tec 5GP/5GPmec
Tec 6/6MX/6MD
Tec 6G/6GMX/6GMD
C6E 6EMD 6EMX
C6G 6GMD 6GMX
Tec 7/7G
N6MD/MX/GMD/GMX
N5P N5Pmec



AGGANCIO PORTA

CATCH

CROCHET

NASE

Tec 3MX/3MD
Tec 4MX
Tec 5P/5Pmec
Tec 5GP/5GPmec
Tec 6/6MX/6MD
Tec 6G/6GMX/6GMD
6EMD 6EMX
6GMD 6GMX
Tec 7/7G
N6MD/MX/GMD/GMX
N5P N5Pmec



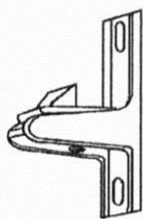
MANIGLIA FERMOD

FERMOD HANDLE

POIGNÉE FERMOD

FERMOD KLINKLE

Tec 4P



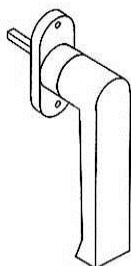
NASELLO CROMATO
CHIUSURA FERMOD

CHROMIUM-PLATED
CATCH

CROCHET

VERCHROMTE NASE
FÜR FERMOD
SCHLUSSEN

Tec 10P/10Pmec
Tec 10GP/10GPmec
Tec 15/15MX/15MD
Tec 15G/15GMD
Tec 20/20MD
Tec 20G/20GMD



MANIGLIA

HANDLE

POIGNÉE

KLINKLE)

Tec 10G/10GMD
Tec 10/10MX/10MD
10EMX 10EMD
T10G 10GMD
Tec 10P/10Pmec
Tec 10GP/10GPmec
Tec 15/15MX/15MD
Tec 15G/15GMD
Tec 20/20MD
Tec 20G/20GMD



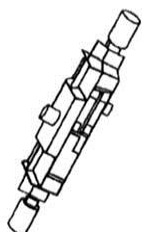
AGGANCIO PORTA

CATCH

CROCHET

NASE

Tec 10G/10GMD
Tec 10/10MX/10MD
10EMX 10EMD
10GMD
Tec 10P/10Pmec
Tec 10GP/10GPmec
Tec 15/15MX/15MD
Tec 15G/15GMD
Tec 20/20MD
Tec 20G/20GMD



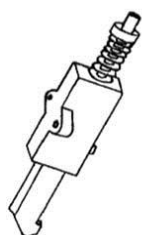
MECCANISMO PORTA
(centrale)

DOOR MECHANISM
(central)

MÉCANISME
(partie central)

ZENTRAL TEIL

Tec 10G/10GMD
Tec 10/10MX/10MD
10EMX 10EMD
10GMD
Tec 10P/10Pmec
Tec 10GP/10GPmec
Tec 15/15MX/15MD
Tec 15G/15GMD
Tec 20/20MD
Tec 20G/20GMD



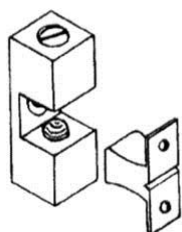
MECCANISMO PORTA
(estremità)

DOOR MECHANISM
(top/bottom)

MÉCANISME
(superieure/inferieure)

TEIL
(obere/untere)

Tec 10G/10GMD
Tec 10/10MX/10MD
10EMX 10EMD
10GMD
Tec 10P/10Pmec
Tec 10GP/10GPmec
Tec 15/15MX/15MD
Tec 15G/15GMD
Tec 20/20MD
Tec 20G/20GMD



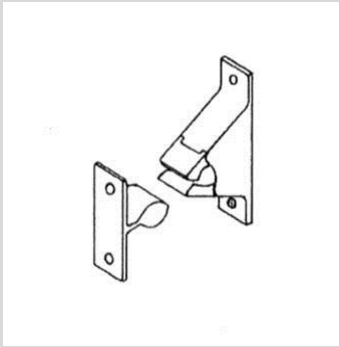
CHIUSURA A SFERE

LOCK FOR DOOR

FERMATURE À
SPHERES

KUNGLVERSCH-
LUSSVORRICHTUNG

Tec 2
Tec 3/3H
Tec 4P
Lievitatore



OBSOLET.

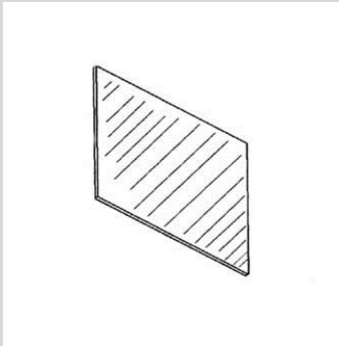
CHIUSURA A PINZA

LOCK FOR DOOR

FERMATURE À
PINCE

ZANGENVERSCH-
LUSSVORRICHTUNG

Tec 4MX
Tec 5
Tec 6G
Tec 7G/7GP
Tec 8
Tec 9P
Tec 10MX



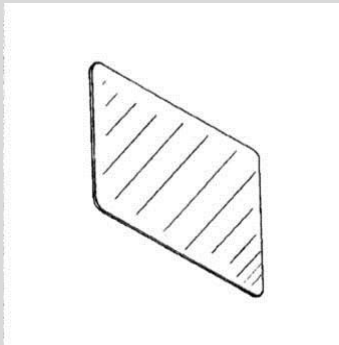
VETRO PORTA
(388X311mm)

DOOR GLASS
(388X311mm)

VITRE PORTE
(388X311mm)

TURGLASS
(388X311mm)

Tec 2
Tec 3/3H



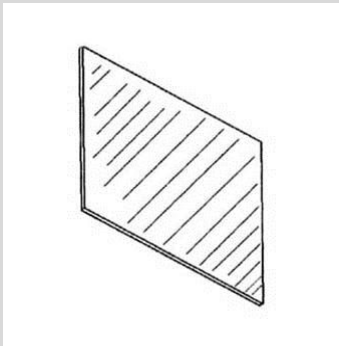
VETRO PORTA
(360X372mm)

DOOR GLASS
(360X372mm)

VITRE PORTE
(360X372mm)

TURGLASS
(360X372mm)

Tec 3MX/3MD



VETRO PORTA

DOOR GLASS

VITRE PORTE

TURGLASS

Tec 4P
(305X477mm)
Prima del 2010
Before 2010
Avant 2010
Vor 2010

Tec 4P (2010)
(380X630mm)
Esterno
Out
externe
extern



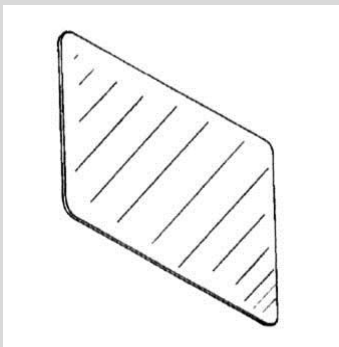
VETRO INTERNO
PORTA SERIGRAF.

INTERNAL DOOR
GLASS

VITRE INTERIEUR
PORTE

INNER TURGLASS

Tec 4P (2010)
(402x650mm)



VETRO PORTA
(500X370mm)

DOOR GLASS
(500X370mm)

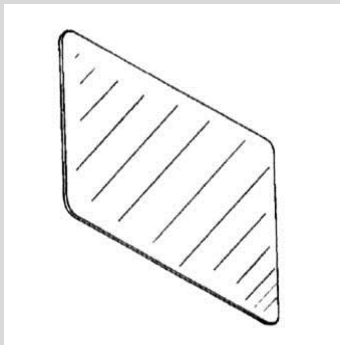
VITRE PORTE
(500X370mm)

TURGLASS
(500X370mm)

Tec 5P/5Pmec
Tec 5GP/5GPmec
Tec 7/7G
Tec 10/10MX/10MD
N5P N5Pmec

OBSOLETE

Tec 4MX
N6MD/MX/GMD/GMX
Tec 6//6H/6MX/6MD
Tec 6G/6GMX/6GMD
C6E C6G
6EMX 6EMD
6GMX 6GMD



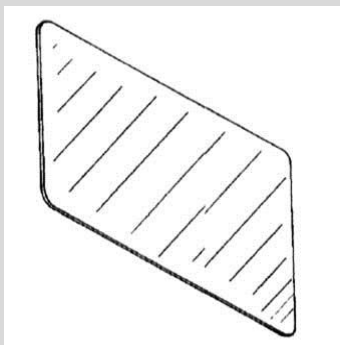
VETRO PORTA
(567X500mm)

DOOR GLASS
(567X500mm)

VITRE PORTE
(567X500mm)

TURGLASS
(567X500mm)

Tec10G Tec10GMD
10EMD 10EMX
10GMD



VETRO PORTA
(626X500mm)

DOOR GLASS
(626X500mm)

VITRE PORTE
(626X500mm)

TURGLASS
(626X500mm)

Tec 10P/10Pmec
Tec 10GP/10GPmec
Tec 15/15MX/15MD
Tec 15G/15GMD
Tec 20/20MD
Tec 20G/20GMD



VETRO INTERNO
PORTA SERIGRAF.

INTERNAL DOOR
GLASS

VITRE INTERIEUR
PORTE

INNER TURGLASS

N6MD/MX/GMD/GMX

N5P N5Pmec

6GMD 6GMX
6EMD 6EMD



VETRO INTERNO
PORTA SERIGRAF.

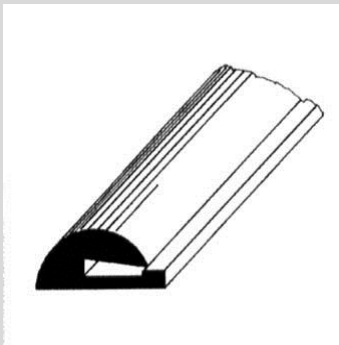
INTERNAL DOOR
GLASS

VITRE INTERIEUR
PORTE

INNER TURGLASS

10GMD
10EMD 10EMX

(700x750x8)



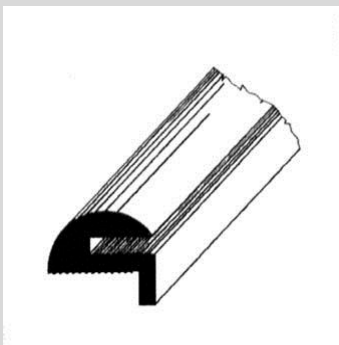
GUARNIZIONE
VETRO

GLASS SEAL

JOINT DE VITRE

GLASSDICHTUNG

Tec 2
Tec 3
Tec 4P



GUARNIZIONE
VETRO RIGATA

RULED GLASS SEAL

JOINT RAYE VITRE

GERIEEFELTE
GLASSDICHTUNG

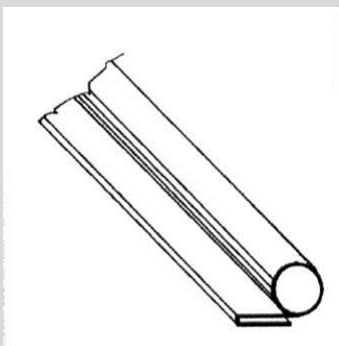
Tutti i modelli

All models

Tous les models

Alle modellen

(NO Tec2/3/4P)



OBSOLET.

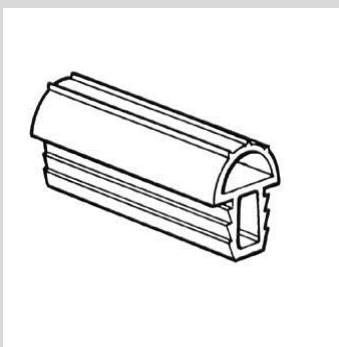
GUARNIZIONE
PORTA

DOOR SEAL

JOINT DE PORTE

TÜRDICHTUNG

Tec 2 • Tec 3
Tec 4MX
Tec 6G/6GMX
Tec 7G/7GP
Tec 10/10MX



GUARNIZIONE
PORTA

DOOR SEAL

JOINT DE PORTE

TÜRDICHTUNG

Tec 2
Tec 3
Tec 4P
N5P N5Pmec

GUARNIZIONE PORTA

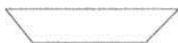
DOOR SEAL

JOINT DE PORTE

TÜRDICHTUNG



Cod.
MCGPN004



Orizzontale
Horizontal
Horizontal
Horizontal

Tec 4MX
Tec 6/6H/6MX/6MD
Tec6G/6GMX/6GMD
Tec 10/10MX/10MD
Tec 10G
Tec 15/15MX/15MD
Tec 15G/15GMD
Tec 10P/10GP



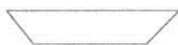
Verticale
Vertical
Vertical
Vertikal

Tec 4MX
Tec 6/6H/6MX/6MD
Tec6G/6GMX/6GMD



Verticale
Vertical
Vertical
Vertikal

Tec 10/10MX/10MD



Orizzontale
Horizontal
Horizontal
Horizontal

Tec 5P/5Pmec
Tec 5GP/5GPmec
Tec 7/7G



Verticale
Vertical
Vertical
Vertikal

Tec 5P/5Pmec
Tec 5GP/5GPmec
Tec 7/7G



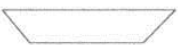
Orizzontale
Horizontal
Horizontal
Horizontal

Tec 3MX/3MD



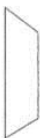
Verticale
Vertical
Vertical
Vertikal

Tec 3MX/3MD



Orizzontale
Horizontal
Horizontal
Horizontal

Tec 20/20MD
Tec 20G/20GMD



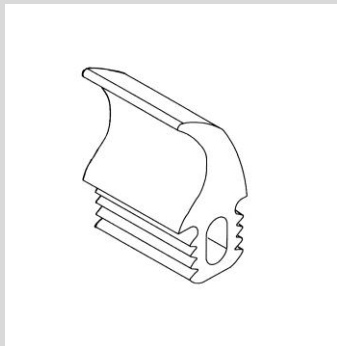
Verticale
Vertical
Vertical
Vertikal

Tec 20/20MD
Tec 20G/20GMD
Tec 10G/GMD



Verticale
Vertical
Vertical
Vertikal

Tec 15/15MX/15MD
Tec 15G/15GMD
Tec 10P/10GP



GUARNIZIONE
FRONTALE CELLA

SEAL

JOINT

DICHTUNG

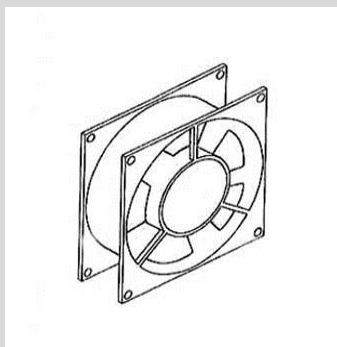
N5P N5Pmec

6CE 6CG
6EMD 6EMX
6GMD 6GMX

N6MD N6MX
N6GMD N6GMX

10EMD 10EMX
10GMD

20EMD 20GMD



MOTORE DI
RAFFREDDAMENTO

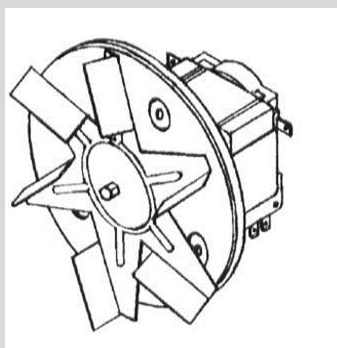
ADDITIONAL MOTOR

MOTEUR POUR
REFROIDISSEMENT
FICHE EL.

LUFTER

Tec 6MX/MD
Tec 10/10MX/MD
Tec 6MX/MD
Tec 6GMX/GMD
6EMD/EMX
N5P N5Pmec

Tec 10MXprogr.
Tec 10MDprogr.
Tec 10G/10GMDprogr.
Tec 15MXpr./15MDpr.
Tec 15GMDprogr.
Tec 20MDprogr.
Tec 20GMDprogr.



MOTOVENTILATORE

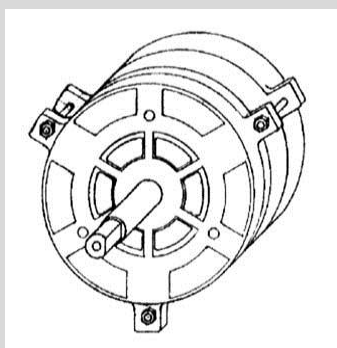
ELECTRO-FAN

MOTOVENTILATEUR

MOTORLUFTER

Tec 2 • Tec 3/3H
Tec 3MX/3MD
Tec 4MX
Tec 4P

Tec 6/6H/6MX/6MD
C6E 6EMX 6EMD
Tec 10/10MX/10MD



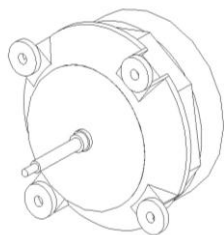
MOTORE 0,33 HP

MOTOR 0,33 HP

MOTEUR 0,33 HP

MOTORANTRIEB
0,33 HP

Tec 5P/5Pmec
Tec 5GP/5GPmec
Tec 6G/6GMX/6GMD
6EMX/EMD/GMX/GMD
N6GMD/GMX/MD/MX
Tec 7/7G
Tec 10G/10GMD
10EMX/EMD/GMD
Tec 10P/10Pmec
Tec 10GP/10GPmec
Tec 15/15MX/15MD
Tec 15G/15GMD
Tec 20/20MD
Tec 20G/20GMD
N5P N5Pmec



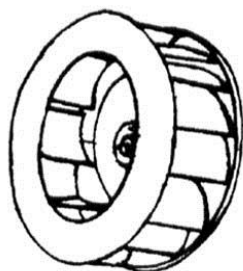
MOTORE 80W

MOTOR 80W

MOTEUR 80W

MOTORANTRIEB
80W

Tec 4P auto



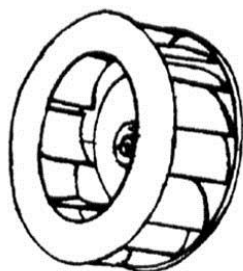
VENTOLA Ø 310mm.

FAN Ø 310mm.

HÉLICE Ø 310mm.

LUFTER Ø 310mm.

Tec 7/7G
Tec 15/15MX/15MD
Tec 15G/15GMD



VENTOLA Ø 310mm.
INFERIORE

LOWER FAN
Ø 310mm.

HÉLICE INFERIEURE
Ø 310mm.

UNTERE LUFTER
Ø 310mm.

Tec 15G/15GMD



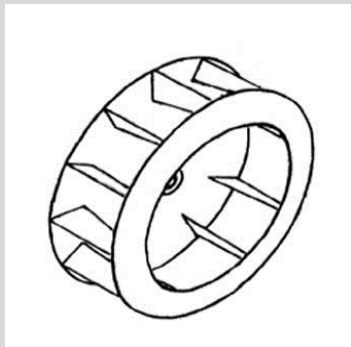
VENTOLA Ø 310mm.
RADIALE

RADIAL FAN
Ø 310mm.

HÉLICE À RAYON
Ø 310mm.

RADIALVENTILATOR
Ø 310mm.

Tec 5P/5Pmec
Tec 5GP/5Gpmec
N8 P/N8Pmecc
Tec 10G/10GMD
10EMD/EMX/GMD
Tec 10P/10Pmec
Tec 10GP/10GPmec
Tec 20/20G
Tec 20MD/GMD



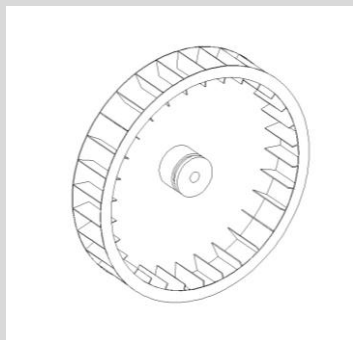
VENTOLA Ø 310mm.
RADIALE INFERIORE

LOWER RADIAL FAN
Ø 310mm.

HÉLICE INFÉRIEURE
À RAYON
Ø 310mm.

UNTERE
RADIALVENTILATOR
Ø 310mm.

Tec 10P/10Pmec
Tec 10GP/10GPmec
Tec 20/G
Tec 2MD/GMD



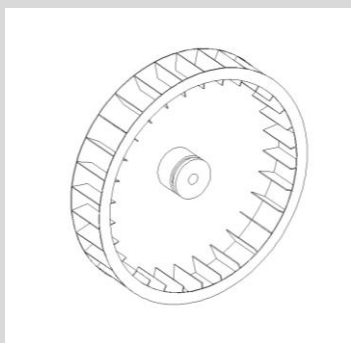
VENTOLA Ø 250mm.

FAN Ø 250mm.

HÉLICE Ø 250mm.

LUFTER Ø 250mm.

C6G



VENTOLA Ø 250mm.
RADIALE

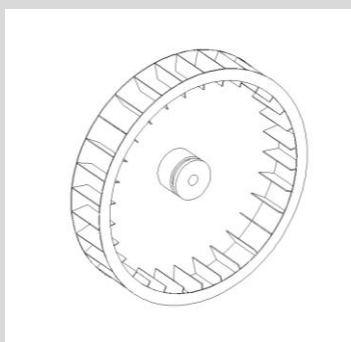
RADIAL FAN
Ø 250mm.

HÉLICE À RAYON
Ø 250mm.

RADIALVENTILATOR
Ø 250mm.

6GMD/GMX

6EMD/EMX super
N6MD/MX/GMD/GMX
N5P N5Pmec



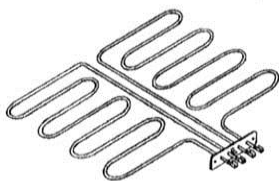
VENTOLA Ø 160mm.
RADIALE

RADIAL FAN
Ø 160mm.

HÉLICE À RAYON
Ø 160mm.

RADIALVENTILATOR
Ø 160mm.

Tec 4P auto



RESISTENZA
LIEVITATORE

PROOVER HEATING
ELEMENT

RESISTENCE
ETUVE

GASCHRÄNKWIDER-
STAND

Lievitatore 8
Lievitatore 10
Proover 8
Proover 10
Etuve 8
Etuve 10
Garschrank 8
Garschrank 10

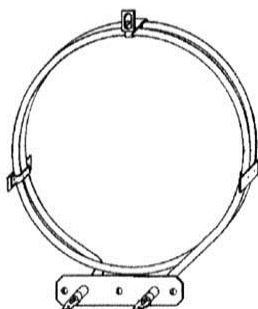


RESISTENZA 1600 W
HEATING
ELEMENT 1600 W

RESISTENCE 1600 W

WIDERSTAND 1600 W

Tec 4P-3.3KW



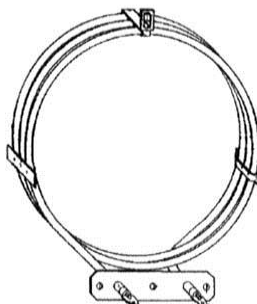
RESISTENZA 2,5 KW

HEATING
ELEMENT 2,5 KW

RESISTENCE 2,5 KW

WIDERSTAND 2,5 KW

Tec 2



RESISTENZA 3 KW

HEATING
ELEMENT 3 KW

RESISTENCE 3 KW

WIDERSTAND 3 KW

Tec 3/3H
Tec 3MX
Tec 4P-6.1KW
Tec 4MX
Tec 6/6MX
C6E 6EMX
Tec 10/10MX



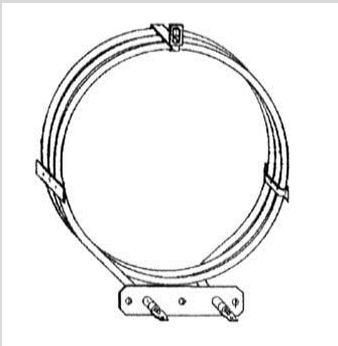
RESISTENZA 3KW
380V

HEATING
ELEMENT 3KW 380V

RESISTENCE 3KW
380V

WIDERSTAND 3KW
380V

Tec 3 \6\10 TRIFASE
380/3N
Tec 3\6\10TRIPHASE
380/3N
Tec 3\6\10TRIPHASES
380/3N



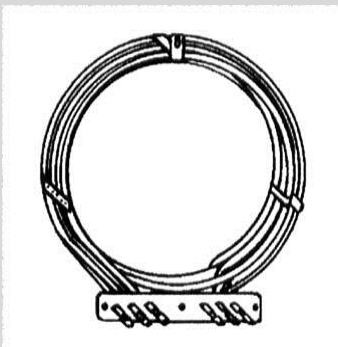
RESISTENZA 3,3 KW

HEATING
ELEMENT 3,3 KW

RESISTENCE 3,3 KW

WIDERSTAND 3,3 KW

Tec 3MD
Tec 6MD
6EMD



RESISTENZA

HEATING
ELEMENT

RESISTENCE

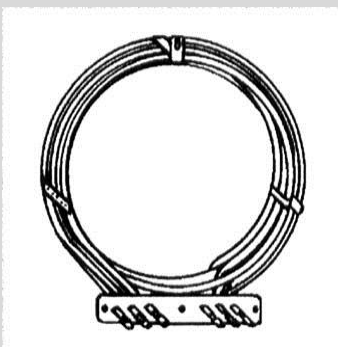
WIDERSTAND

10KW

Tec 5P/5Pmec
Tec 7
Tec 10P/10Pmec
Tec 15/15MX/15MD
Tec 20/20MD

15KW

10EMD 10EMX



RESISTENZA 7,5 KW

HEATING
ELEMENT 7,5KW

RESISTENCE 7,5KW

WIDERSTAND 7,5KW

6MD/MX
N5P N5Pmec

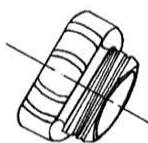


LAMPADA 15W
BULB 15W
AMPOULE 15W
GLUHLAMPE 15W

Tutti i modelli
All models
Tous les models
Alle modell

LAMP.25W ALOGENA
HALOGEN LAMP 25W
HALOGEN LAMP 25W
HALOGENLAMPE 25W

Tutti i modelli DA 2009
All models from 2009
Tous les models de 2009
Alle modelle ab 2009



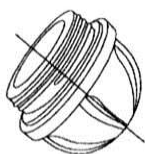
VETRO PROTEZ.
LAMPADA+GUARN.

BULB GLASS
PROTECTION+SEAL

VERRE PROTECTION
AMPOULE+JOINT

LAMPENSCHUTZGAS
MIT DICHTUNG

Tec 2
Tec 3/3H
Tec 4P
Tec 5Pmec
Tec 5GPmec
Tec 6/6H
Tec 6G
Lievitatore 10
Tec 7/7G
Tec 10
N5Pmec



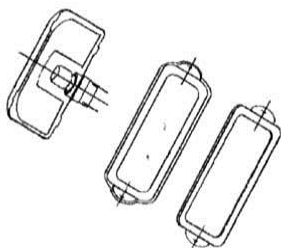
VETRO PROTEZ.
LAMPADA+GUARN.

BULB GLASS
PROTECTION+SEAL

VERRE PROTECTION
AMPOULE+JOINT

LAMPENSCHUTZGAS
MIT DICHTUNG

Tec 3MX/3MD
Tec 4MX
Tec 5P
Tec 5GP
Tec 6MX/6MD
Tec 6GMX/6GMD
Tec 10MX/10MD
N5P



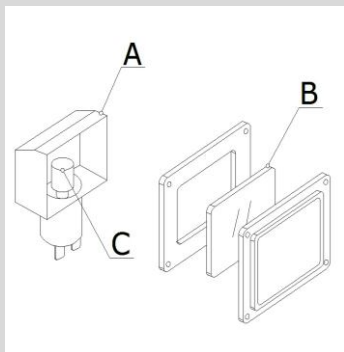
PORTALAMPADA
COMPLETO (25W)

COMPLETE BULB
SOCKET (25W)

PORTE-AMPOULE
COMPLETE (25W)

KOMPLETTE
LAMPENSOCKEL
(25W)

Tec 10P/10Pmec
Tec 10GP/10GPmec
Tec 15/15MX/15MD
Tec 15G/15GMD
Tec 20/20MD
Tec 20G/20GMD



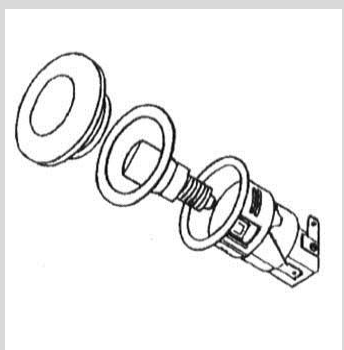
PORTALAMPADA

COMPLETE BULB

PORTE-AMPOULE

KOMPLETTE
LAMPENSOCKEL

Tec 6MX
C6E 6EMD 6EMX
C6G 6GMX 6GMD
Tec 10MX/10MD
Tec 10G/GMD
10EMX/EMD/GMD
Tec 10P/10Pmec
Tec 10GP/10GPmec
Tec 15/15MX/15MD
Tec 15G/15GMD
Tec 20/20MD
Tec 20G/20GMD



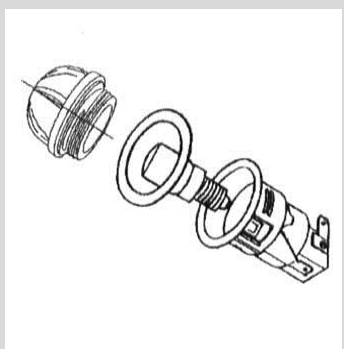
PORTALAMPADA
COMPLETO (15W)

COMPLETE BULB
SOCKET (15W)

PORTE-AMPOULE
COMPLETE (15W)

KOMPLETTE
LAMPENSOCKEL
(15W)

Tec 2
Tec 3/3H
Tec 4P
Tec 5Pmec
Tec 5GPmec
Tec 6/6H
Tec 6G
Lievitatore 10
Tec 7/7G
Tec 10
N5Pmec



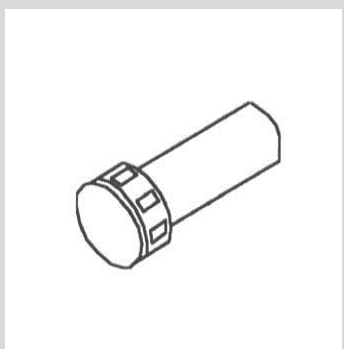
PORTALAMPADA 800
(15W)

BULB SOCKET 800
(15W)

PORTE-AMPOULE
800 (15W)

LAMPENSOCKEL 800
(15W)

Tec 3MX/3MD
Tec 4MX
Tec 5P
Tec 5GP
Tec 6MX/6MD
Tec 6GMX/6GMD
Tec 10MX/10MD
N5P



PIEDE REGOLAB.
LIEVITATORE 8

ADJUSTABLE BASE
FOR PROOVER 8

PIED REGLABLE
POUR ETUVE 8

REGELBARER
FUSS FUER
GARSCHRANK 8

Lievitatore 8

Proover 8

Etuve 8

Garschrank 8



PIEDE CROMATO
REGOLABILE

CHROMIUM
ADJUSTABLE BASE

PIED REGLABLE

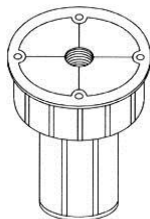
REGELBARER FUSS

Tutti i modelli

All models

Tous les models

Alle modellen



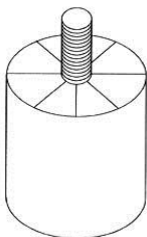
PIEDE
PER TEC 3MX/3MD

BASE
FOR TEC 3MX/3MD

PIED
POUR TEC 3MX/3MD

FUSS
FÜR TEC 3MX/3MD

Tec 3MX/3MD
Tec 4P



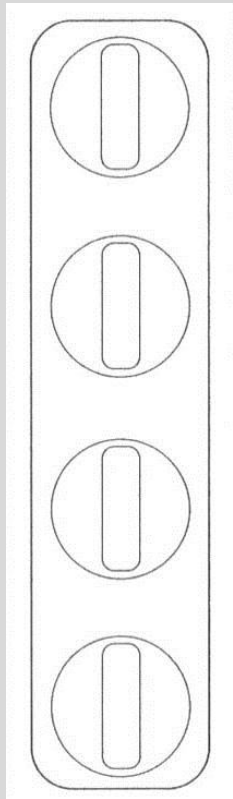
PIEDE ANTISCIVOLO
PER TEC 4P

BASE FOR TEC 4P

PIED POUR TEC 4P

FUSS FÜR TEC 4P

Tec 4P/AUTO



PANNELLO COMANDI

CONTROL PANEL

PANNEAU DE BORD

KOMMANDOTAFEL

Tec 2 • Tec 3 • Tec 3H

T4P

Tec 6G • T6 • T6H

6CE • 6CEH • 6CG

N5Pmec

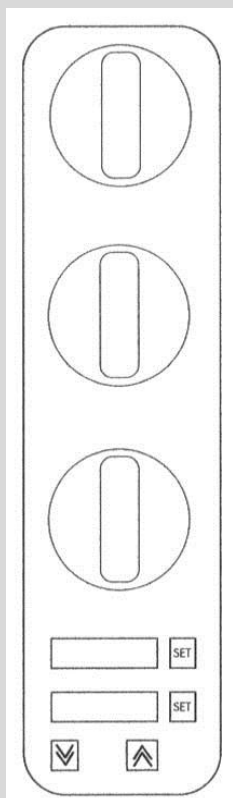
Tec 7 • Tec 7G • Tec 5Pmec
Tec 5GPmec • Lievitatore

Tec 10

Tec 10G

Tec 10Pmec
Tec 10GPmec • Tec 15

Tec 20 • Tec 20G
20E / 20G



PANNELLO COMANDI

CONTROL PANEL

PANNEAU DE BORD

KOMMANDOTAFEL

Tec 3MX/3MD

Tec 6MX/6GMX
Tec 6MX+sonda
Tec 6GMX+sonda

Tec 6MD/6GMD
Tec 6MD+sonda
Tec 6GMD+sonda

Tec 10MX
Tec 10MX+sonda

Tec 5P • Tec 5GP

Tec 10P/10GP
Tec 10MD/20 MD
Tec 15GMD/20GMD
Tec 10MD+sonda
Tec 15GMD+sonda
Tec 20 MD+sonda
Tec 20GMD+sonda

Tec 15MX/15MX+sonda

N6MD/MX/GMD/GMX

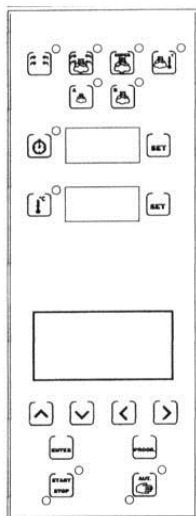
OBSOLET.

PANNELLO COMANDI
PROGRAMMABILE

CONTROL PANEL
OVEN WITH RECIPES

PANNEAU DE BORD
FOUR AVEC
RECETTES

KOMMANDOTAFEL
OFEN MIT REZEPT



Tec 6MX/6GMX
Tec 6MX+sonda
Tec 6GMX+sonda

N5P

Tec 6MD/6GMD
Tec 6MD+sonda
Tec 6GMD+sonda

Tec 10MX/10MX+sonda
Tec 10MD/10MD+sonda
Tec
10GMD/10GMD+sonda

Tec
15GMD/15GMD+sonda
Tec 20MD/20 MD+sonda
Tec
20GMD/20GMD+sonda

Tec 15MX/15MX+sonda

PANNELLO COMANDI
USL

CONTROL PANEL
OVEN WITH RECIPES

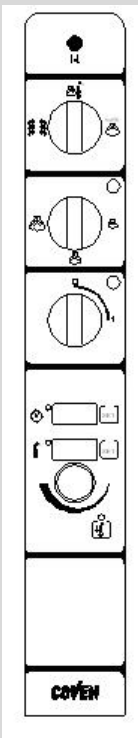
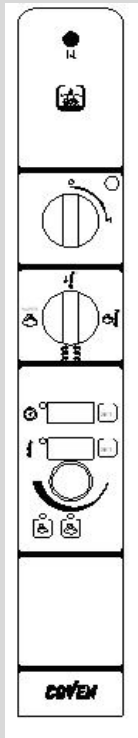
PANNEAU DE BORD
FOUR AVEC
RECETTES

KOMMANDOTAFEL
OFEN MIT REZEPT

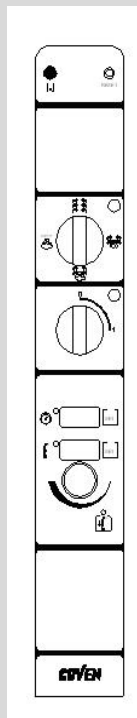
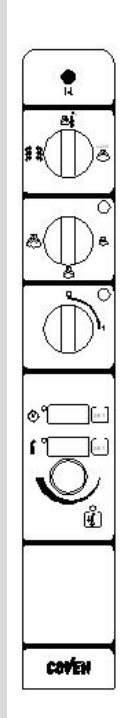


6GMD
6EMD\SUPER
N6MD
10GMD
10EMD
20EMD
20GMD

6EMX\SUPER
6GMX
N6MX
N6GMX
10EMX

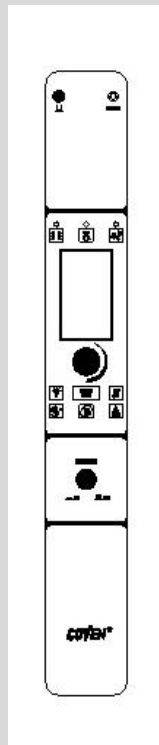
A**B**

PANNELLO COMANDI

CONTROL PANEL
OVEN WITH RECIPESPANNEAU DE BORD
FOUR AVEC
RECETTESKOMMANDOTAFEL
OFEN MIT REZEPT**A** 6EMX
10EMX**B** 6EMD
10EMD
20EMD**A****B**

PANNELLO COMANDI

CONTROL PANEL
OVEN WITH RECIPESPANNEAU DE BORD
FOUR AVEC
RECETTESKOMMANDOTAFEL
OFEN MIT REZEPT**A** 6GMX**B** 6GMD
10GMD
20GMD



PANNELLO COMANDI
TOUCH SCREEN

CONTROL PANEL
TOUCH SCREEN

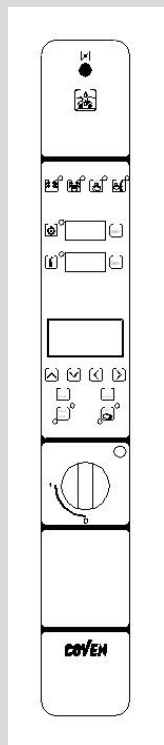
PANNEAU DE BORD
FOUR TOUCH
SCREEN

KOMMANDOTAFEL
OFEN TOUCH
SCREEN

6EMD/EMX usl prog.
6GMD/GMX usl prog.

10EMD/EMX usl prog.
10GMD/GMX usl prog

20EMD/EMX usl prog.



PANNELLO COMANDI
PROGRAMMABILE

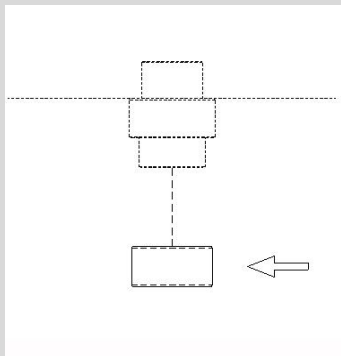
CONTROL PANEL
OVEN WITH RECIPES

PANNEAU DE BORD
FOUR AVEC
RECETTES

KOMMANDOTAFEL
OFEN MIT REZEPT

6EMX
6GMD
6EMD
10GMD
10EMD
10EMX

OBSOLET.



TAPPO LAVAGGIO

CAP FOR CLEANING
SYSTEM

CLAPET NETTOYAGE

REINIGUNESSCHRAU
BE

6EMX
6EMD

6GMX
6GMD

10EMD

10GMX
10GMD

Tec20MD
Tec20GMD



GIRANTE LAVAGGIO

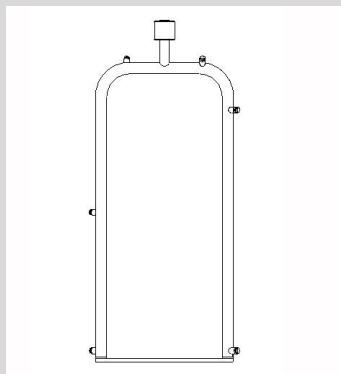
CLEANING ROTOR

ROVE

LAUFRAD

6EMX
6EMD

6GMX
6GMD



GIRANTE LAVAGGIO

CLEANING ROTOR

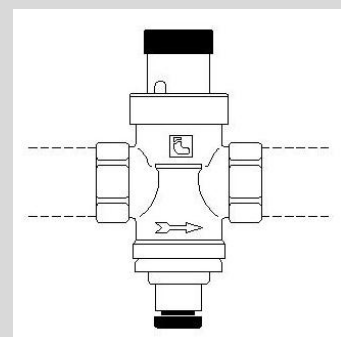
ROVE

LAUFRAD

10EMD
10EMX

10GMD

20MD
20GMD



RIDUTTORE DI
PRESSIONE

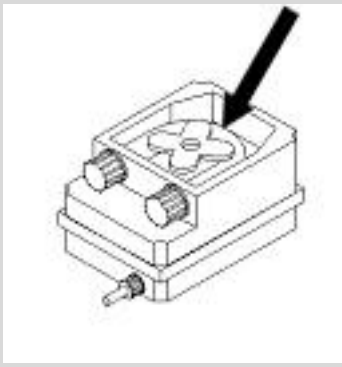
PRESSOR REDUCER

RÉDUCTEUR DE
PRESSION

DRÚCKREDUZIERER

USL series:

6EMD 6GMD
6EMX 6GMX
10EMD 10GMD
10EMX
20MD 20GMD



MEMBRANA
LAVAGGIO

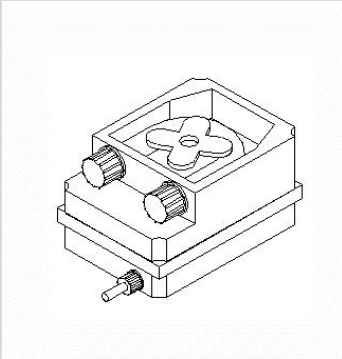
CLEANING SYSTEM
MEMBRANE

MEMBRANE
SYSTEME
NETTOYAGE

REINIGUNG
SWINGBLÄTTCHEN

USL series:

6EMD 6GMD
6EMX 6GMX
10EMD 10GMD
10EMX
20MD 20GMD



POMPA LAVAGGIO

PUMP FOR
CLEANING SYSTEM

POMPE PUOR
SYSTEME
NETTOYAGE

PUMPE FÜR
REINIGUNG

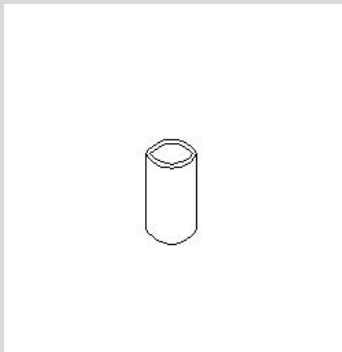
6EMX
6EMD

6GMX
6GMD

10EMD
10EMX

10GMD

20MD
20GMD



GUARNIZIONE
TEFLON LAVAGGIO

TEFLON SEAL
(CLEANING SYSTEM)

JOINT TEFLON POUR
NETTOYAGE

TEFLON DICHTUNG
(REINIGUNGSPHASE)

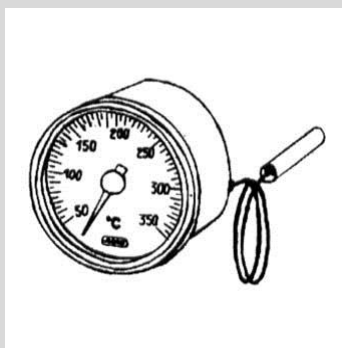
6EMX
6EMD

6GMX
6GMD

10EMD

10GMX
10GMD

20MD
20GMD



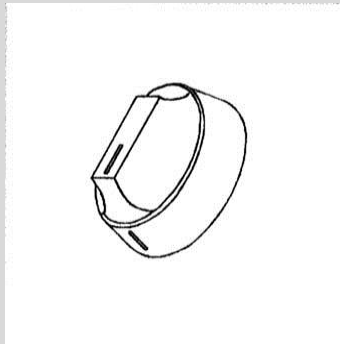
TERMOMETRO

THERMOMETER

THERMOMETRE

THERMOMETER

Tec 5Pmec/5GPmec
Tec 6/6G
Tec 7/7G
Tec 10/10G
Tec 10Pmec/10GPmec
Tec 15/15G
Tec 20/20G
N5Pmec



MANOPOLA

KNOB

BOUTON

KNOPF

Tutti i modelli

All models

Tous les models

Alle modellen



MANOPOLA PER
SCHEDA ROTATIVA

KNOB FOR ROTATIVE
FORM

BOUTON POUR
FICHE ROTATIVE

KNOPF FÜR
ROTATIONSKARTE

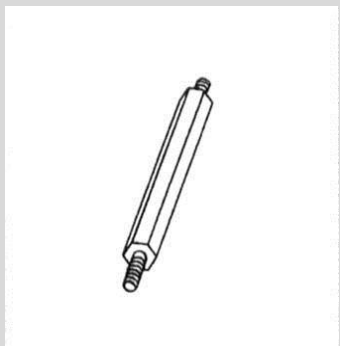
Tutti i modelli

Tutti i modelli

All models

Tous les models

Alle modellen



DISTANZIALE
DEFLET. L44mm.

SPACER FOR
BAFFLE L44mm.

EPAISSEUR
DEFLECT. L44mm.

ABLENKERDI-
STANZSTUCK L44mm.

Tec 2

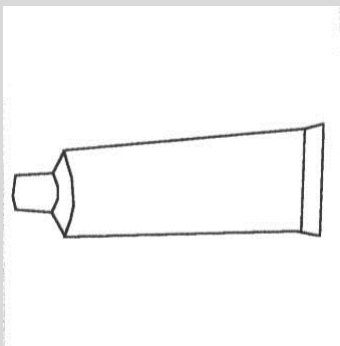
Tec 3

Tec 4MX • Tec 4P

Tec 6/6MX/6MD

C6E 6EMD 6EMX

Tec 10/10MX/10MD



SILICONE PER
GUARNIZIONE
PORTA

SYLICONE FOR
DOOR SEAL

SYLICONE POUR
JOINT DE PORTE

SILIKON FÜR
TÜRDICHTUNG

Tutti i modelli

All models

Tous les models

Alle modellen